

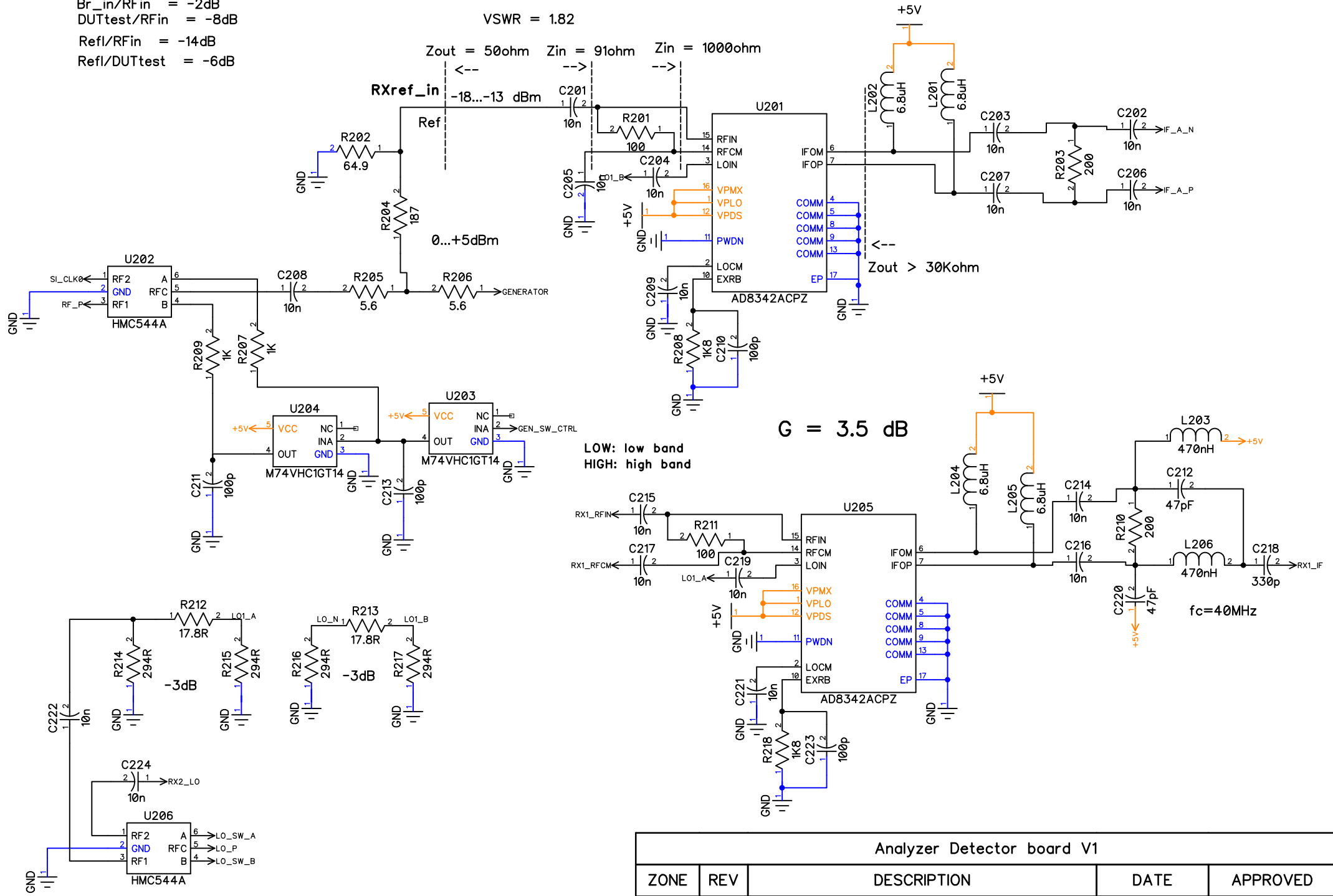
Analyzer Detector board V1

ZONE	REV	DESCRIPTION	DATE	APPROVED

Ref/RFin = -19dB
 Br_in/RFin = -2dB
 DUTtest/RFin = -8dB
 RefI/RFin = -14dB
 RefI/DUTtest = -6dB

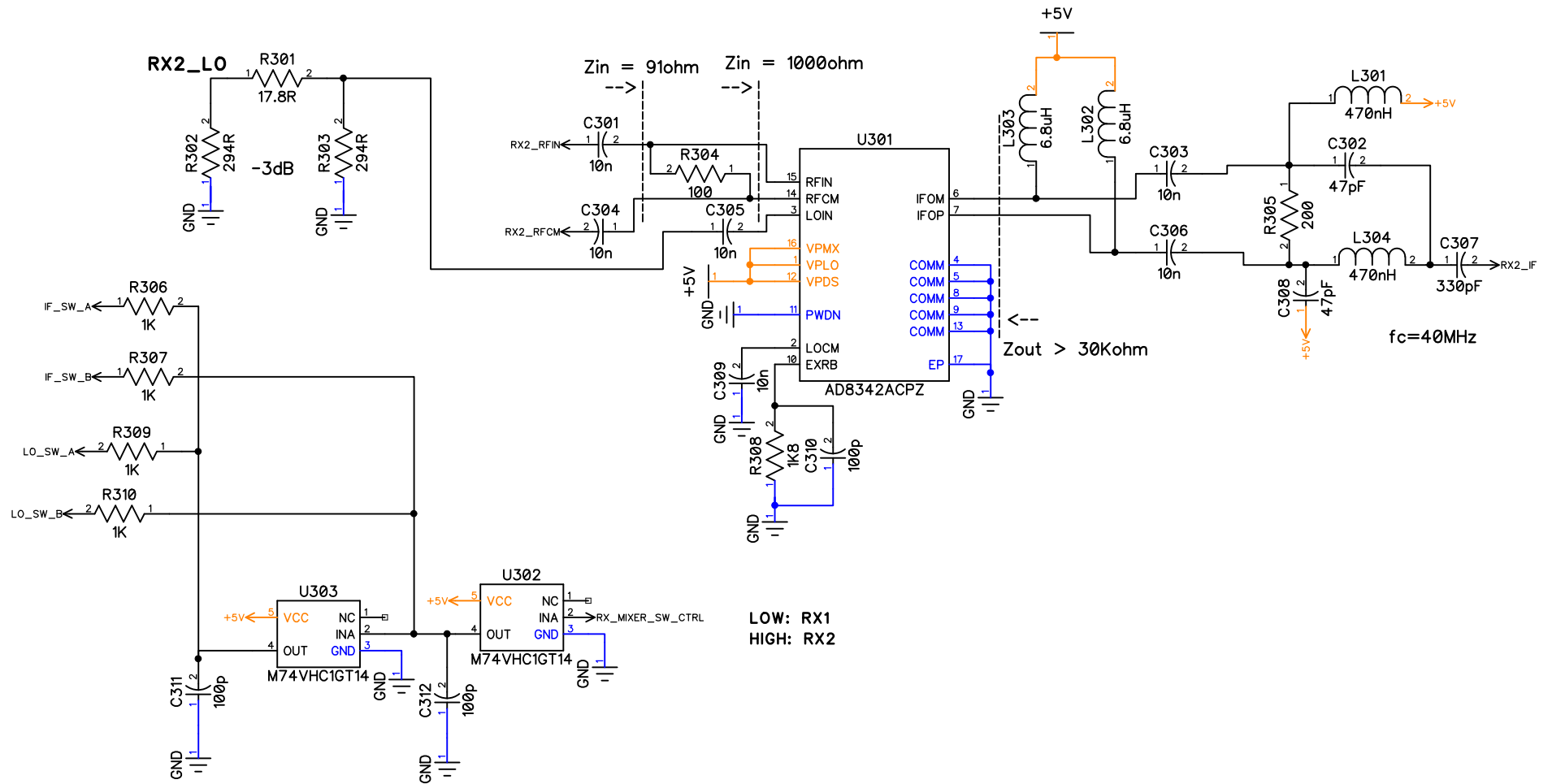
VSWR = 1.82

Zout = 50ohm Zin = 91ohm Zin = 1000ohm



Analyzer Detector board V1

ZONE	REV	DESCRIPTION	DATE	APPROVED



Analyzer Detector board V1

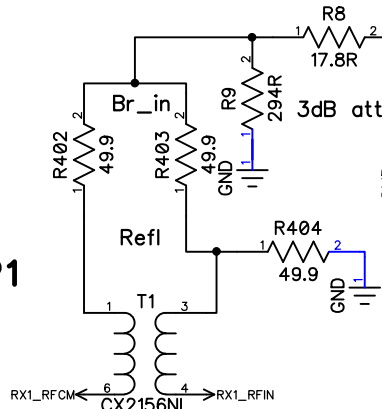
ZONE	REV	DESCRIPTION	DATE	APPROVED

may be left floating with degradation of power performance by approximately 1.5 dB

3dB att

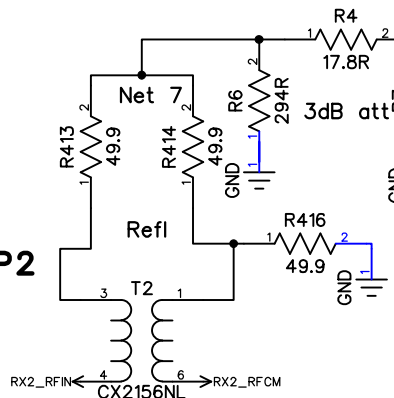
-8...-3 dBm

P1

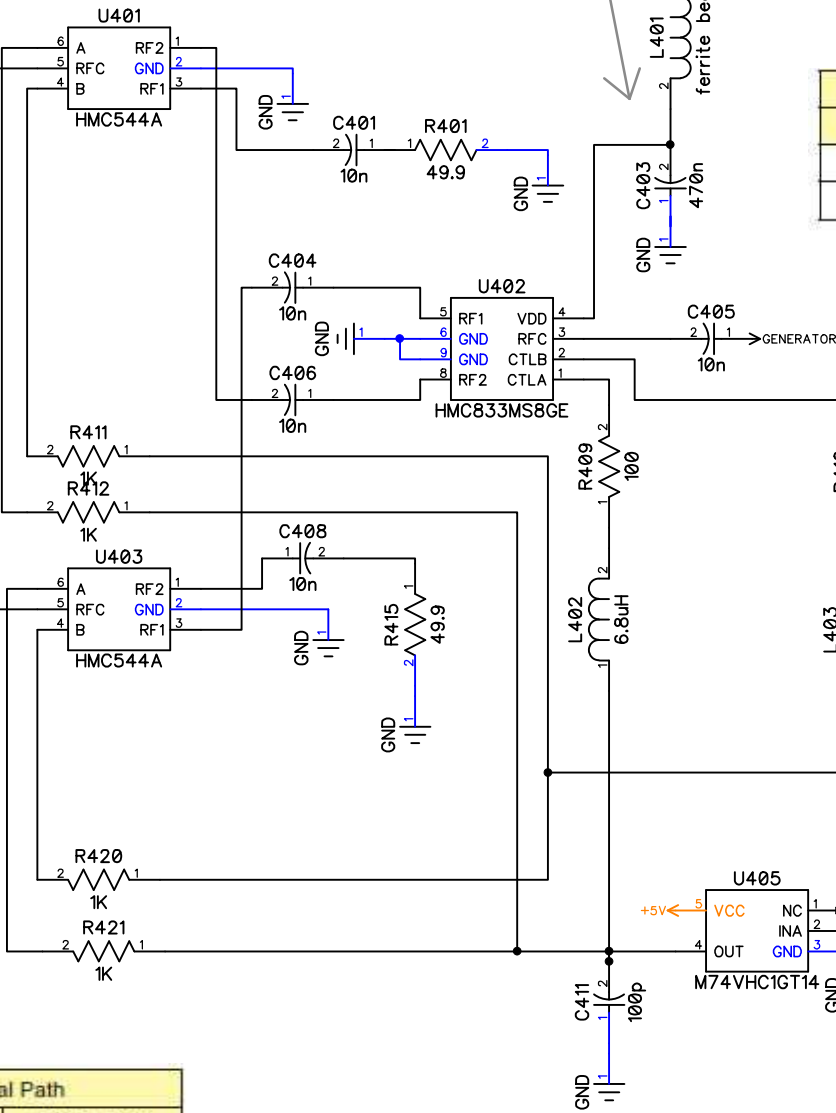


-17...-12 dBm

P2



Control Input		Signal Path	
A	B	RFC to RF1	RFC to RF2
Low	High	On	Off
High	Low	Off	On

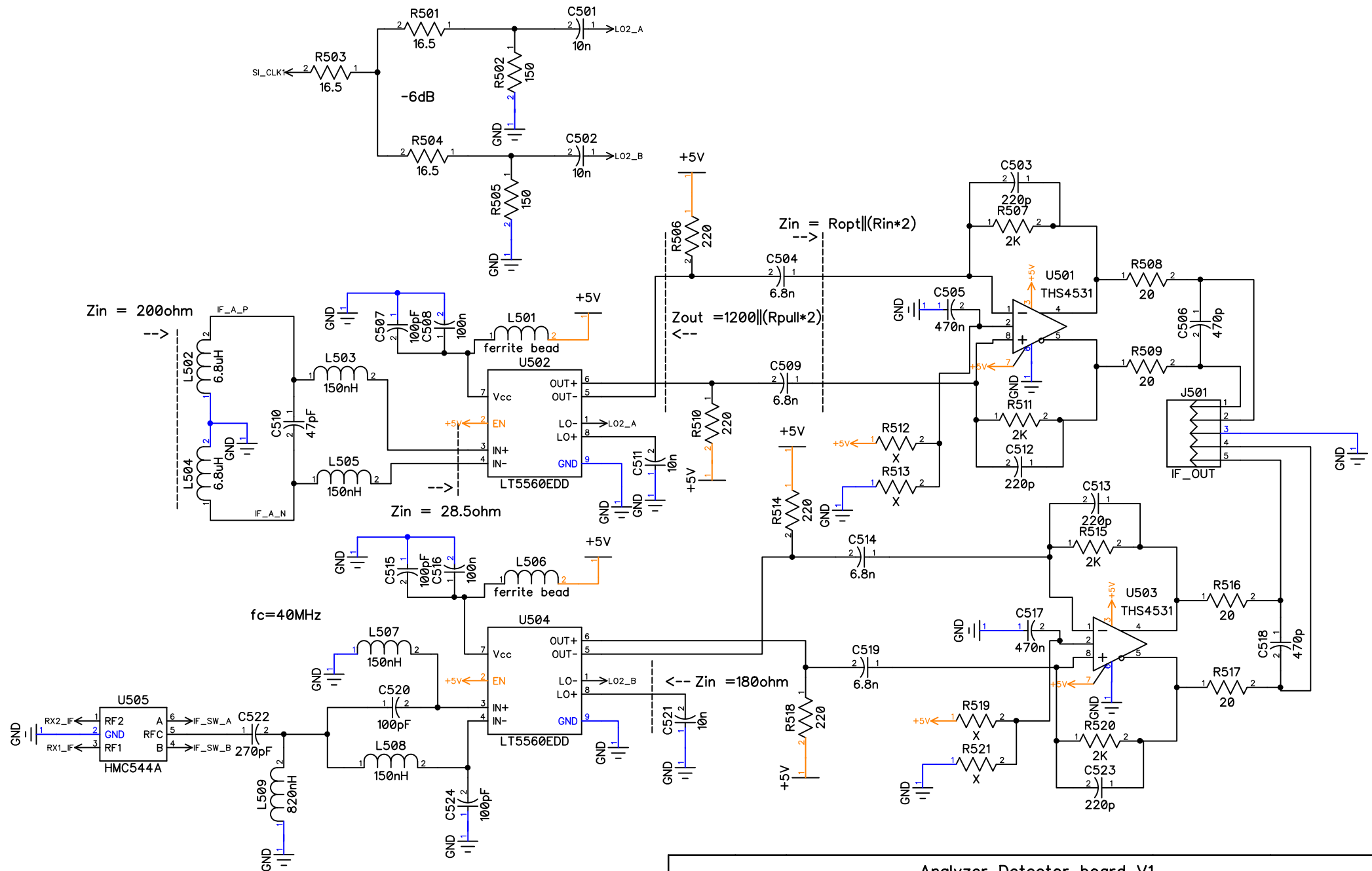


Control Input		Signal Path State
A	B	RFCOM to:
Low	High	RF1
High	Low	RF2

LOW: gen to P1
HIGH: gen to P2

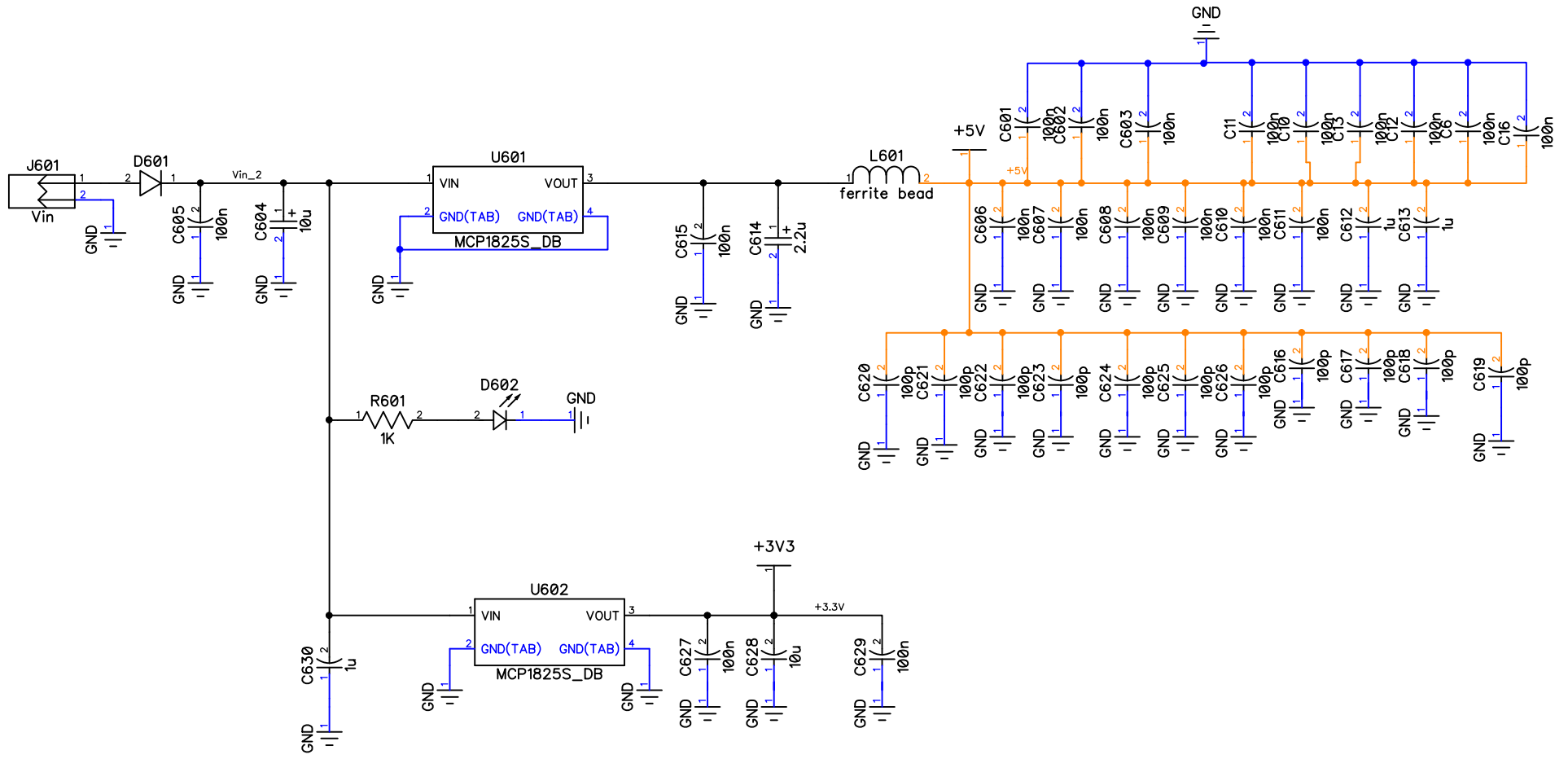
Analyzer Detector board V1

ZONE	REV	DESCRIPTION	DATE	APPROVED



Analyzer Detector board V1

ZONE	REV	DESCRIPTION	DATE	APPROVED



Analyzer Detector board V1

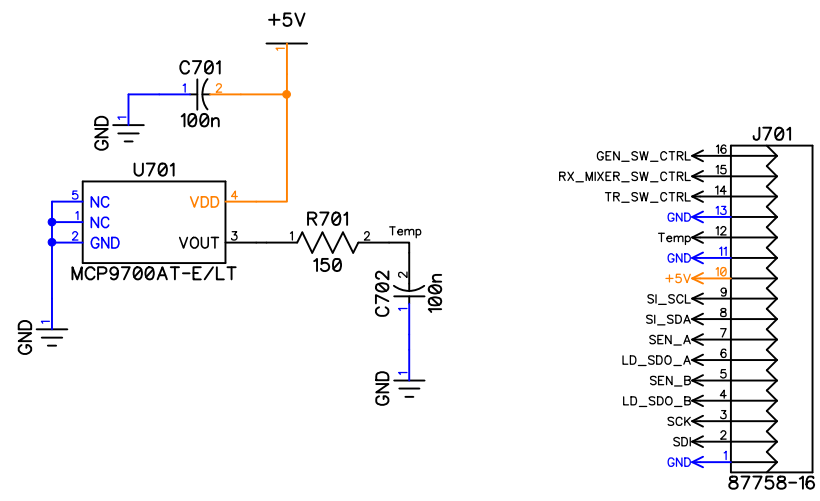
ZONE	REV	DESCRIPTION	DATE	APPROVED

D

C

B

A



Analyzer Detector board V1				
ZONE	REV	DESCRIPTION	DATE	APPROVED

D

C

B

A