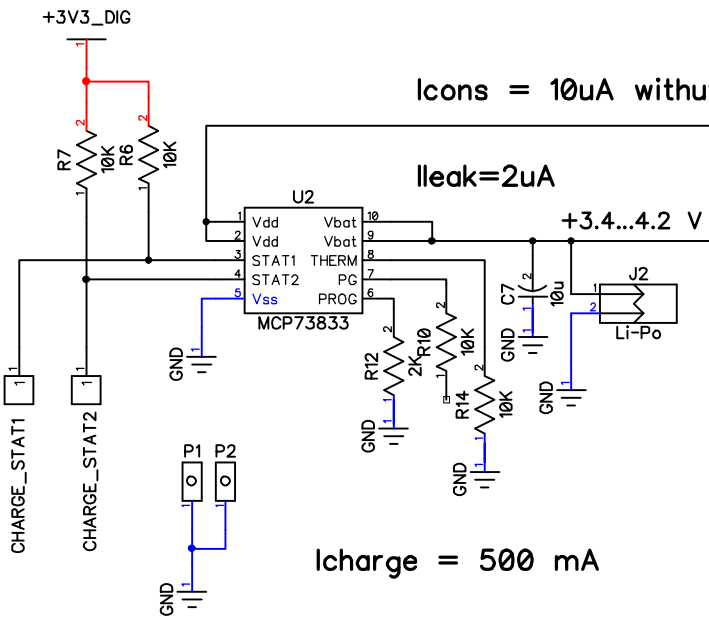


Tests:
 3.3V reg load: 22ohm/150mA
 $U_{in_min} = 3.43V$
 $U_{in_min_smps} = 3.8V$

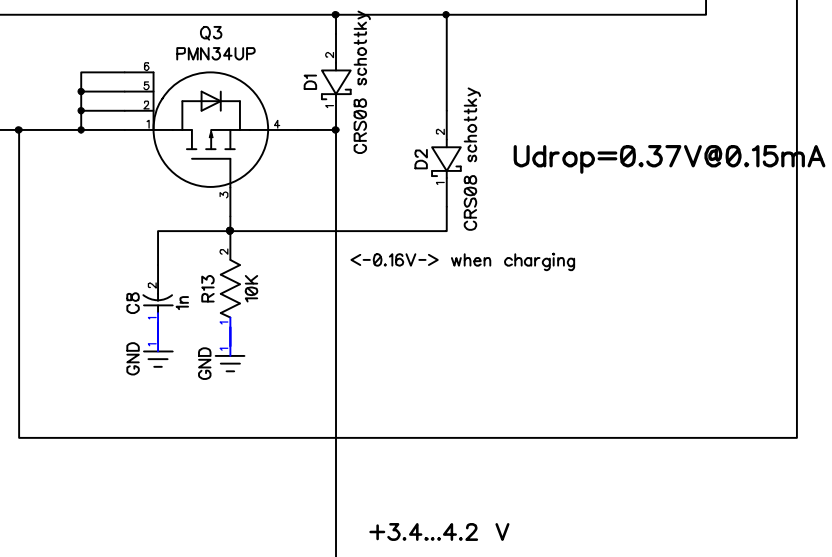


Icons = 10uA with RF board

Ileak = 2uA

Icharge = 500 mA

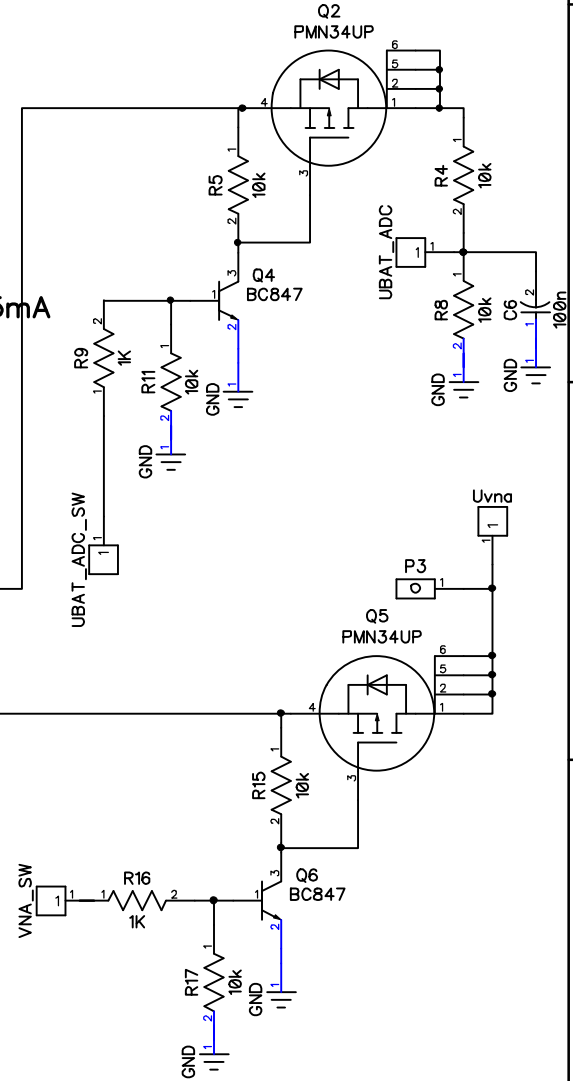
Charge Cycle State	STAT1	STAT2	PG
Shutdown	Hi-Z	Hi-Z	Hi-Z
Standby	Hi-Z	Hi-Z	L
Charge in Progress	L	Hi-Z	L
Charge Complete (EOC)	Hi-Z	L	L
Temperature Fault	Hi-Z	Hi-Z	L
Timer Fault	Hi-Z	Hi-Z	L
System Test Mode	L	L	L

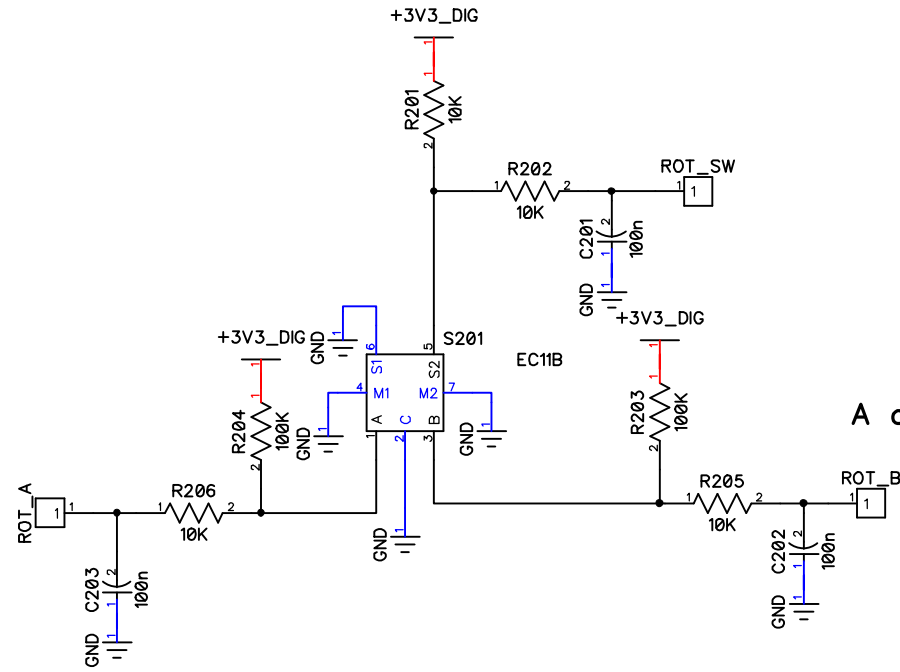


$U_{drop} = 0.37V @ 0.15mA$

55uA

196mA with vna sw off





A and B can sometimes be on or off.

All 47K

