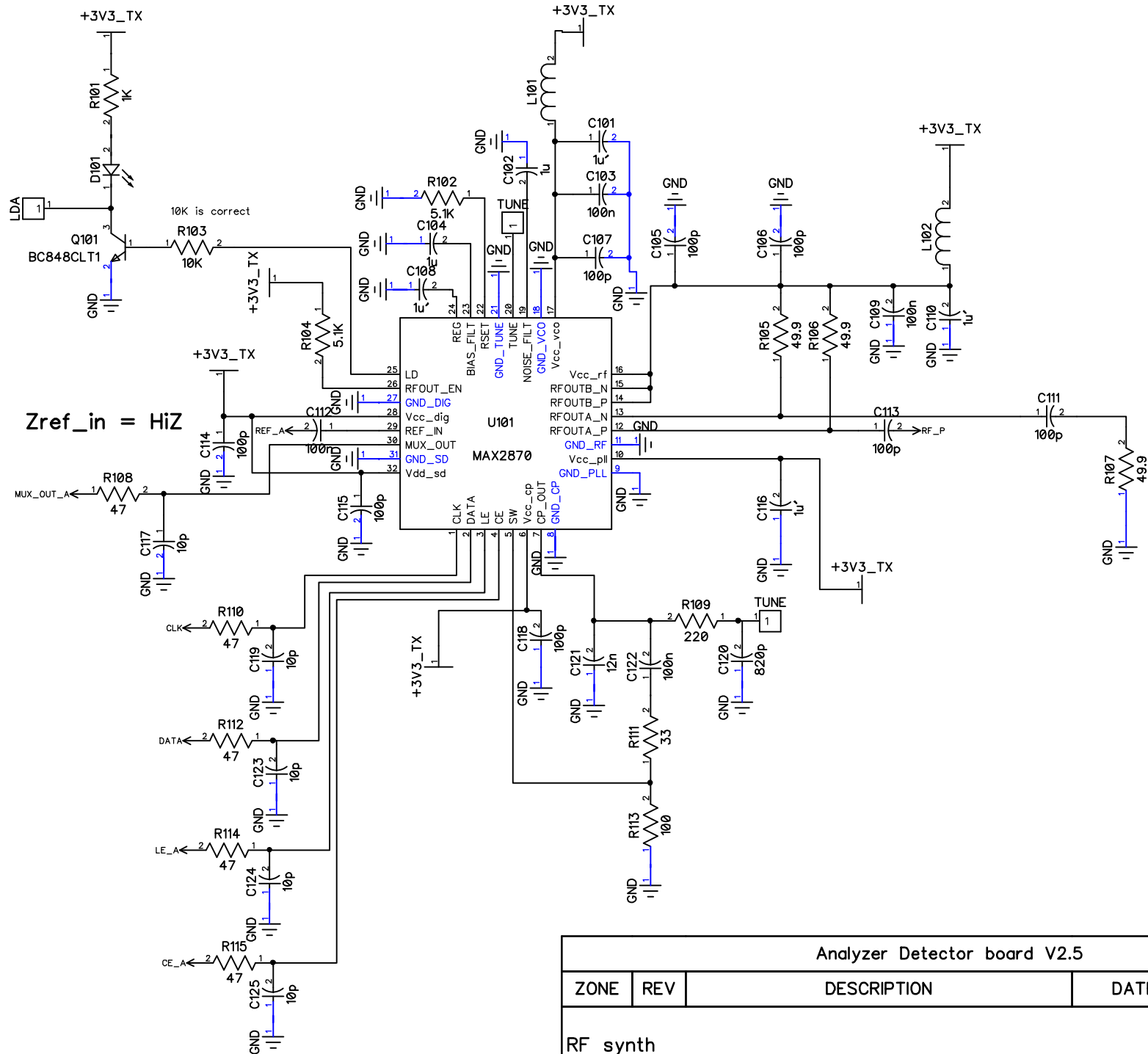


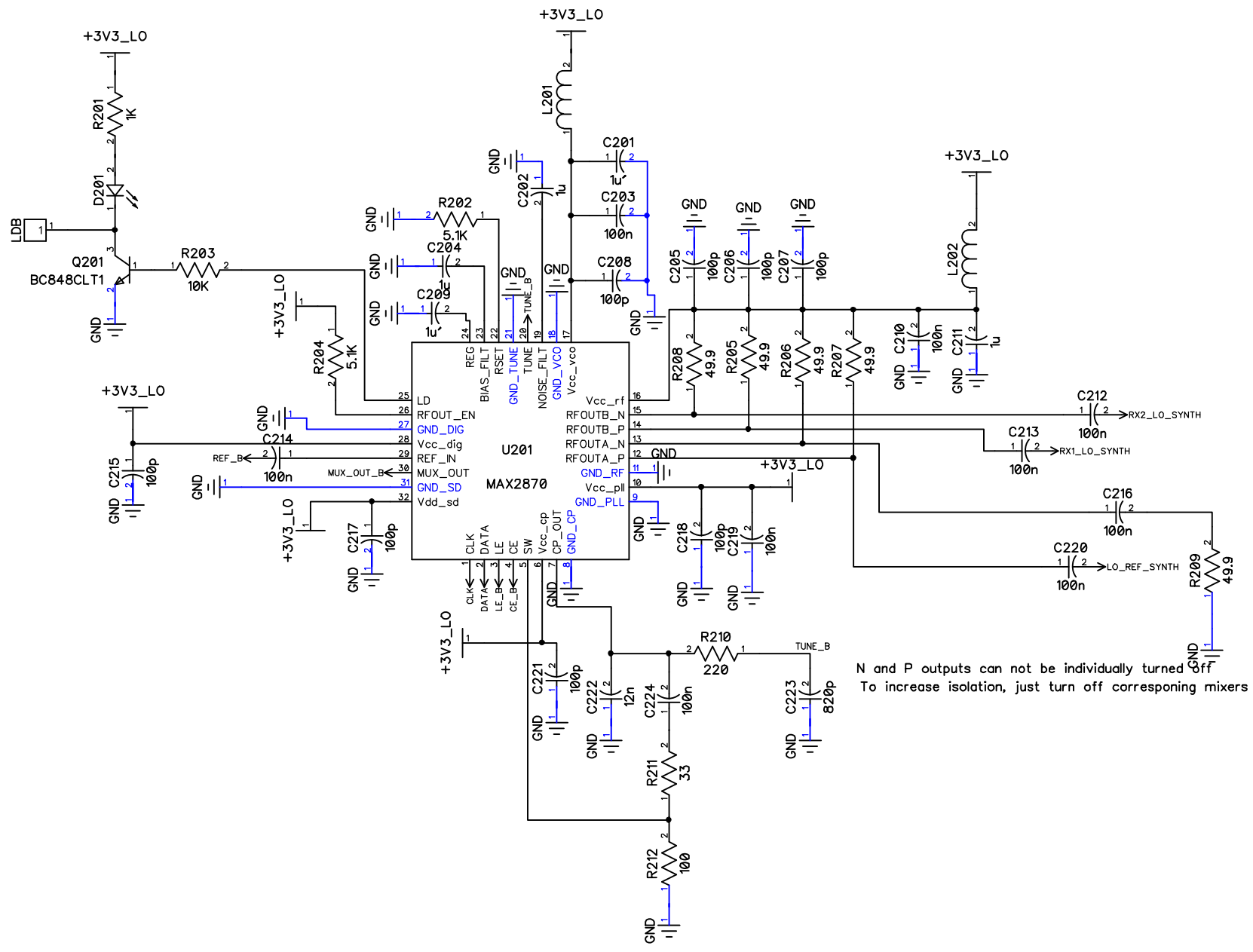
PLLs have Hi-Z ref in. It will reflect, but only once

Analyzer Detector board V2.5				
ZONE	REV	DESCRIPTION	DATE	APPROVED
Low band synth and clock				



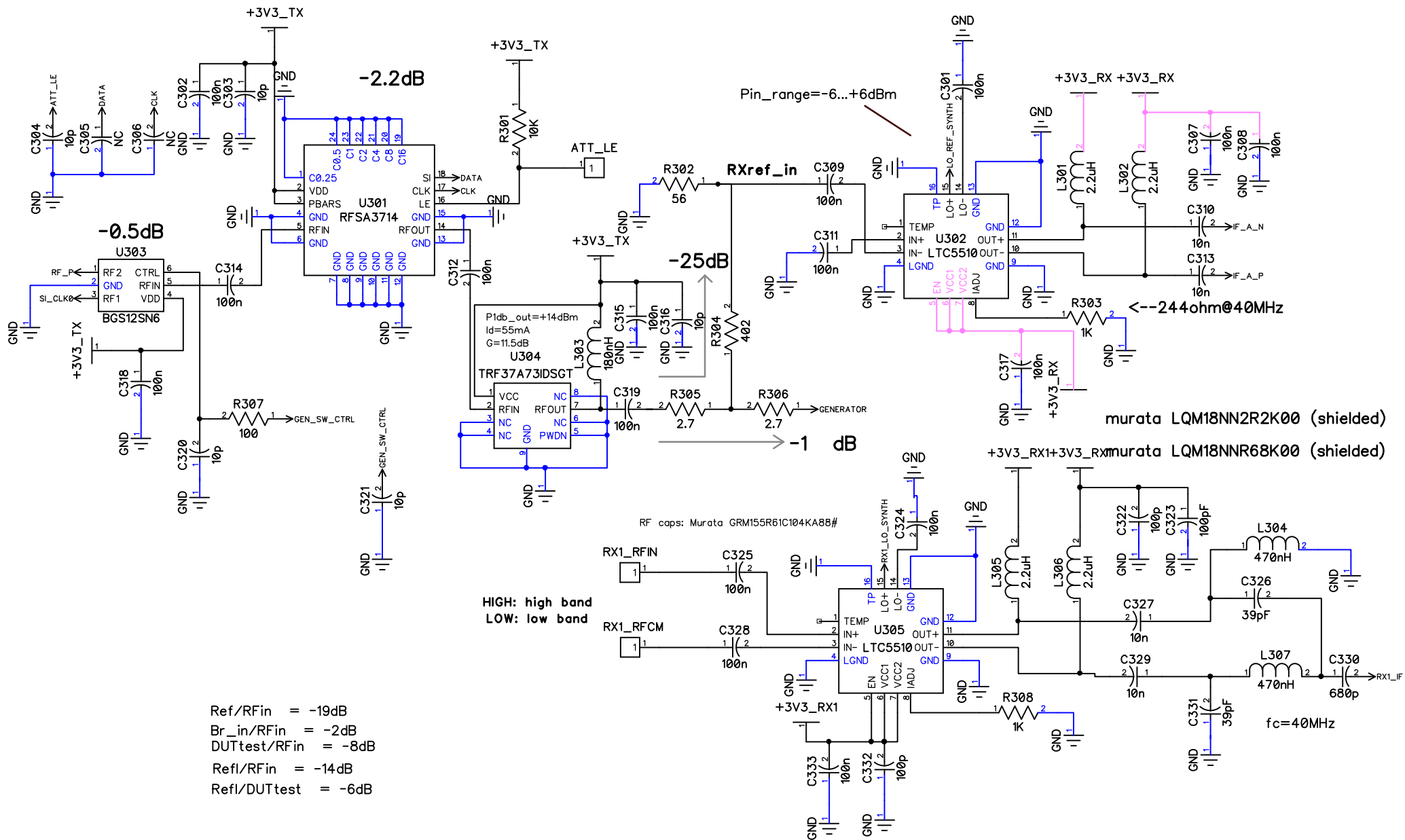
Zref\_in = HiZ

Analyzer Detector board V2.5				
ZONE	REV	DESCRIPTION	DATE	APPROVED
		RF synth		

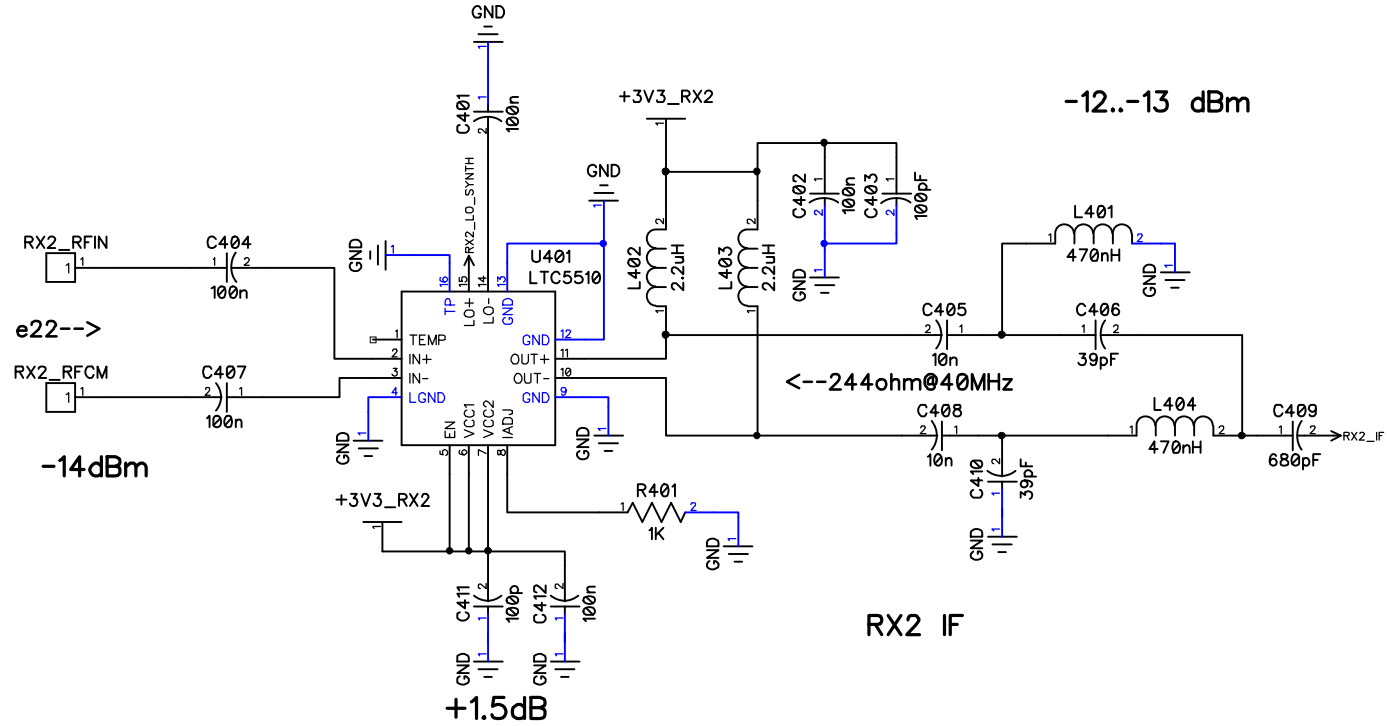


N and P outputs can not be individually turned off  
 To increase isolation, just turn off corresponding mixers

Analyzer Detector board V2.5				
ZONE	REV	DESCRIPTION	DATE	APPROVED
LO synth				

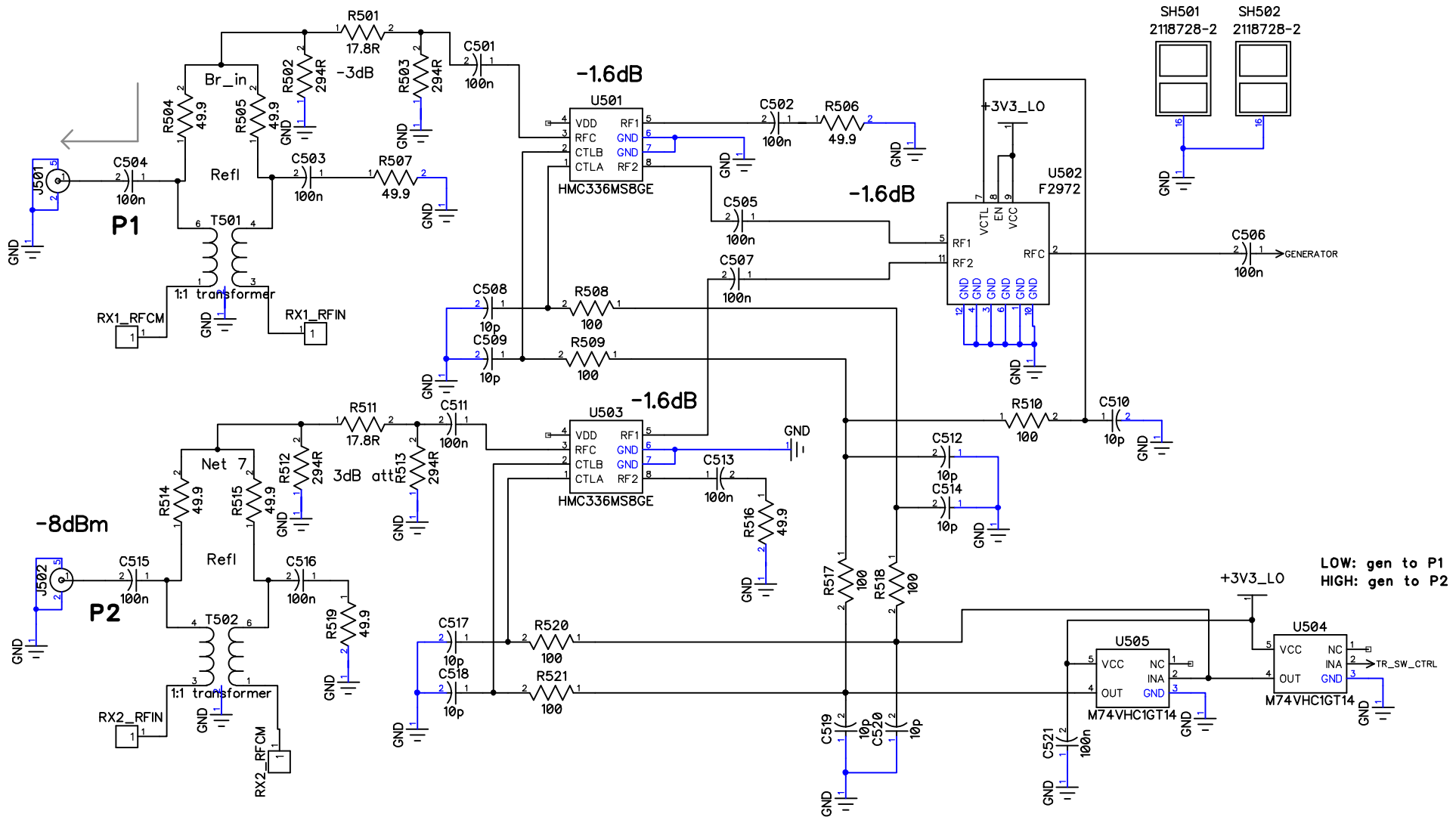


Tune this C for best e11 or e22-->



Analyzer Detector board V2.5

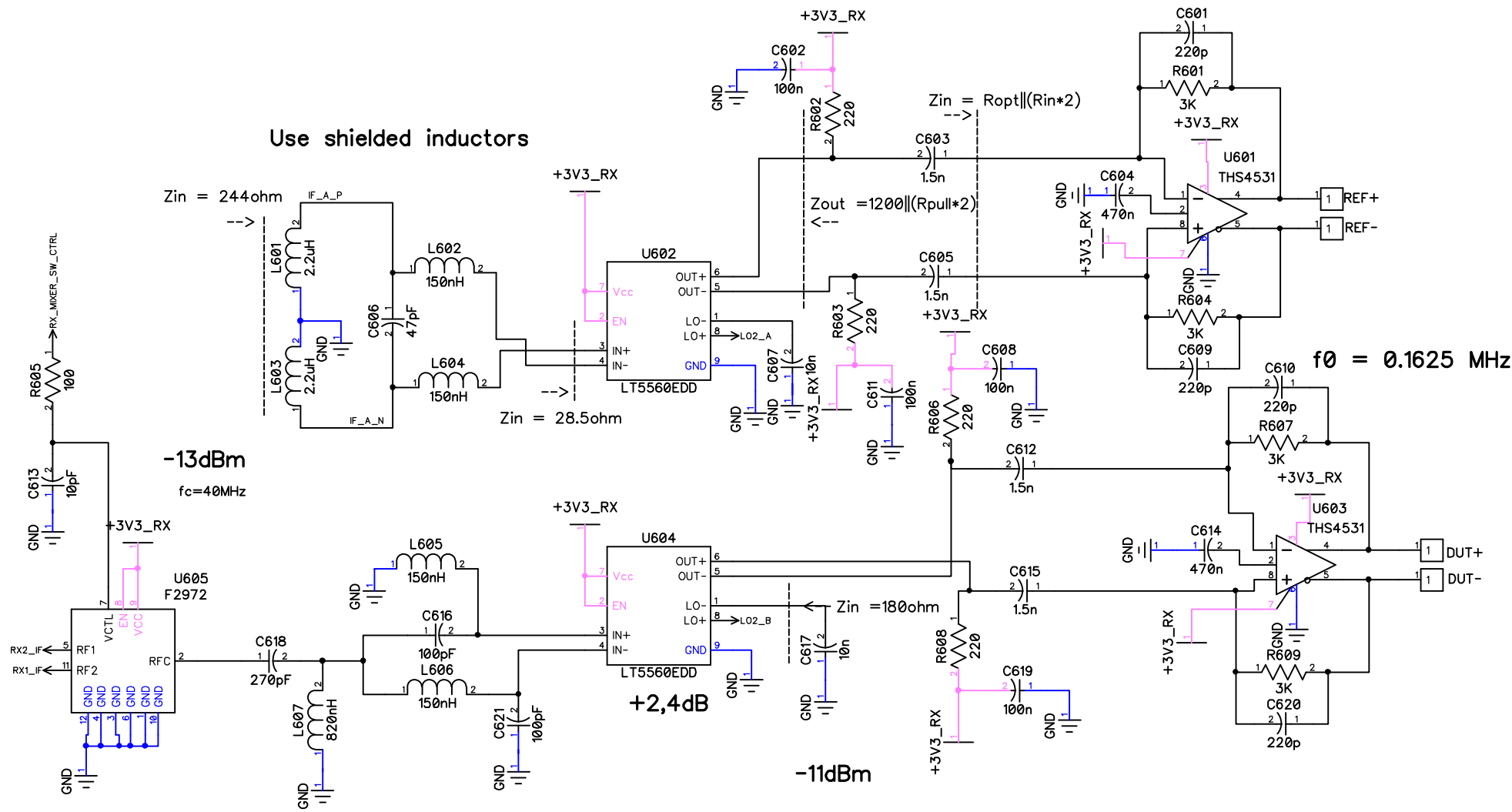
ZONE	REV	DESCRIPTION	DATE	APPROVED
REF frontend				



Analyzer Detector board V2.5

ZONE	REV	DESCRIPTION	DATE	APPROVED
TR switching and Bridges				

LOW: gen to P1  
HIGH: gen to P2



LOW: RX1  
HIGH: RX2

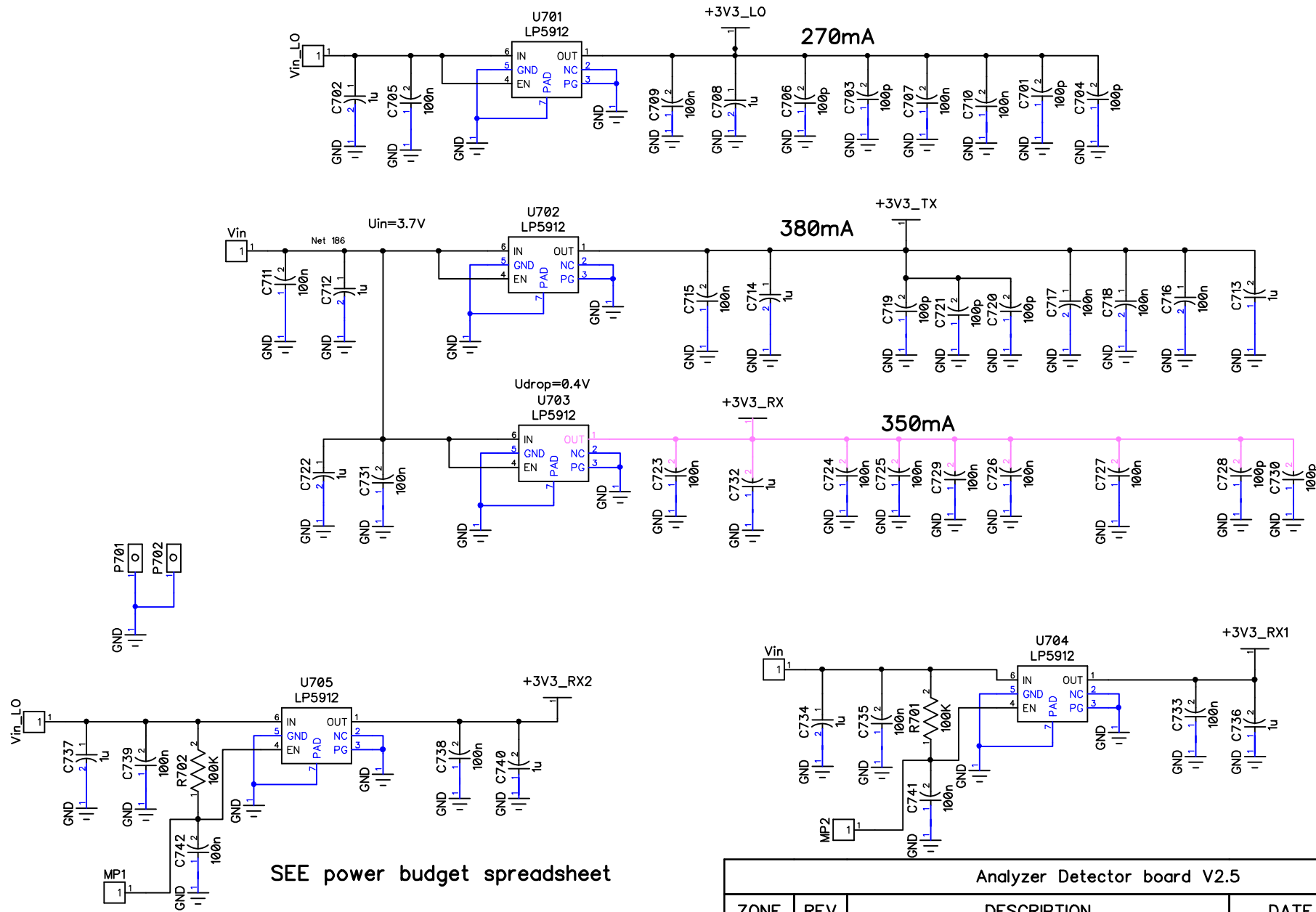
TODO: Test impedance change when switching between mixers

BGS22WL  $Z_{diff} = 100\text{ ohm}$ ,  $Z_{single\_ended} = 50\text{ ohm}$

Analyzer Detector board V2.5

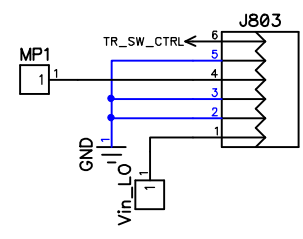
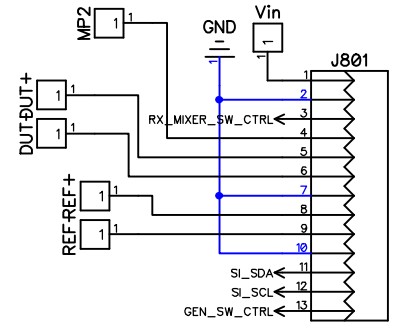
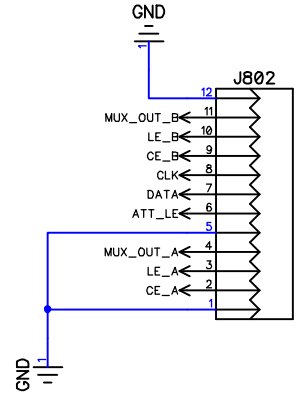
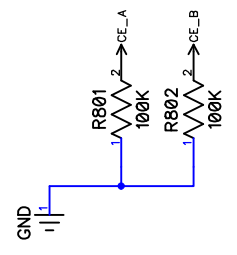
ZONE	REV	DESCRIPTION	DATE	APPROVED
Second downconversion				

Measured current: 650...700 mA



Analyzer Detector board V2.5				
ZONE	REV	DESCRIPTION	DATE	APPROVED
Power supply				





Analyzer Detector board V2.5

ZONE	REV	DESCRIPTION	DATE	APPROVED
------	-----	-------------	------	----------

Connectors